

ENGLISH

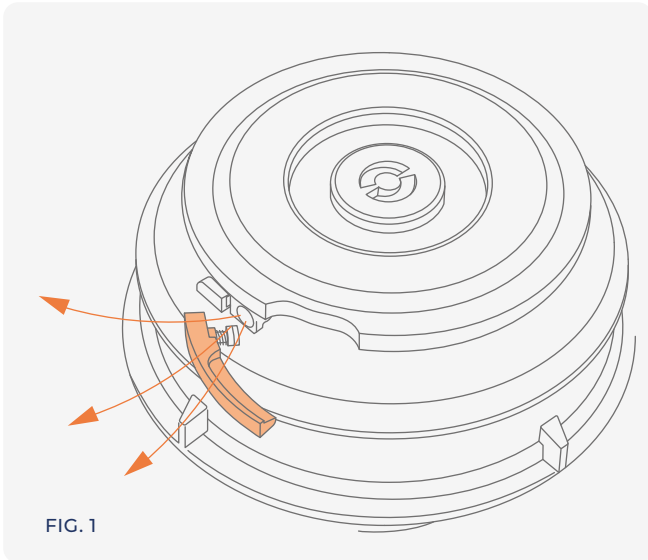


DEPRESSURIZATION INSTRUCTIONS



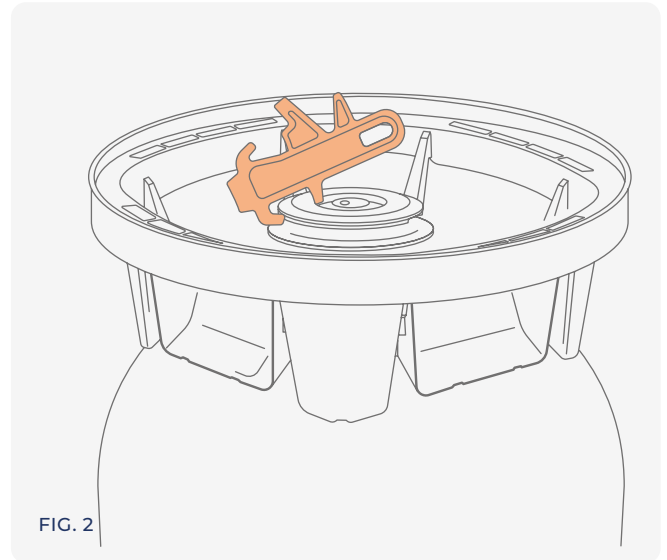
When handling the keg, please wear personal protective equipment (goggles, gloves, etc.) and make sure the room where you are working is ventilated, as mentioned in the "Warnings" section.

1. Depressurization procedure with PRV



Once tapped, the empty keg must be depressurized immediately by breaking off the red PRV — pressure relief valve - lever.

2. Depressurization procedure without PRV



If the keg has no PRV, please use the dedicated depressurization key. It is suitable for all types of PolyKeg® valves: A, D, G, K, M, S.