



Tapping instructions



Tapping instructions

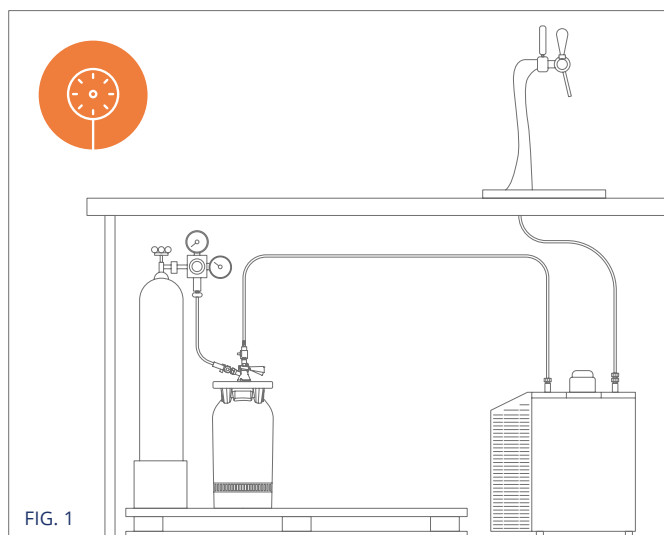
When handling the keg, please wear personal protective equipment (goggles, gloves, etc.) and make sure the room where you are working is ventilated, as specified in the "Warnings" section.

The tapping system must be equipped with a pressure regulator and a properly calibrated safety valve.

Always make sure that the setting and working pressures of your tapping system are correctly set and do not exceed the maximum nominal value, as stated in the "Warnings" section.

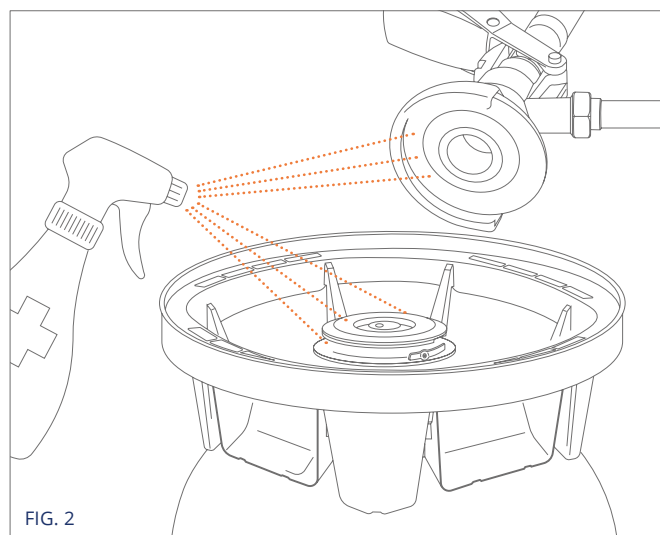
TAPPING PROCEDURE

1. Pressure check



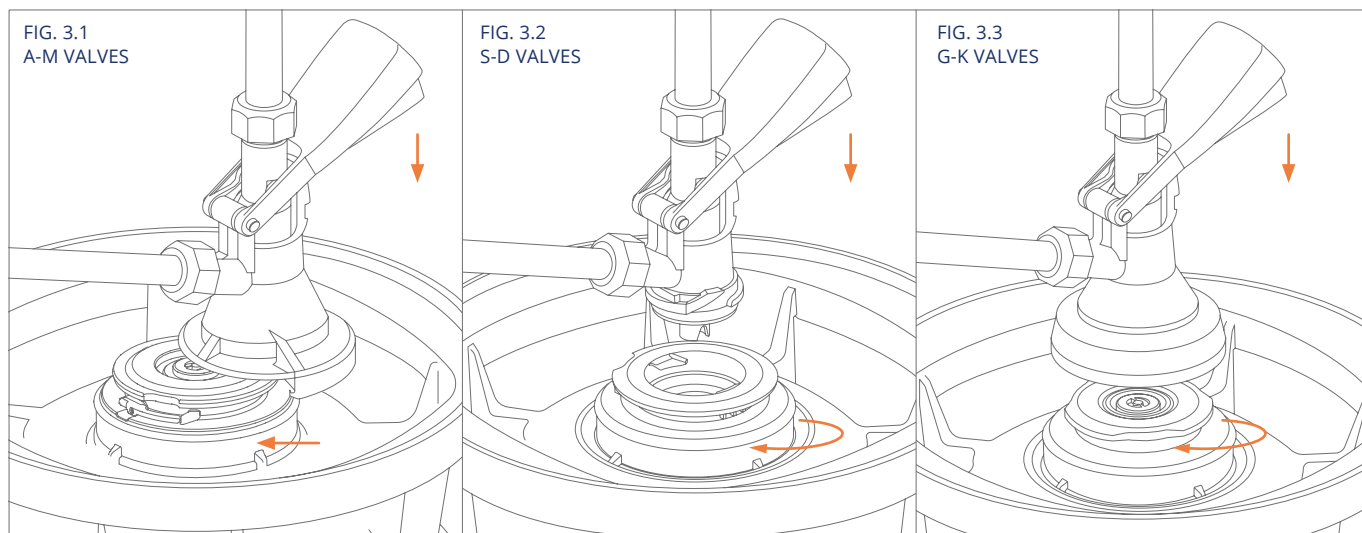
Before connecting the keg, please check that the tapping system is in order, sanitized and that the pressures are set correctly.

2. Sanitizing



Sanitize the coupler surface that is in contact with the product, remove the seal and sanitize the external part of the valve, as mentioned in the "Sanitizing instructions" section.

3. Connection

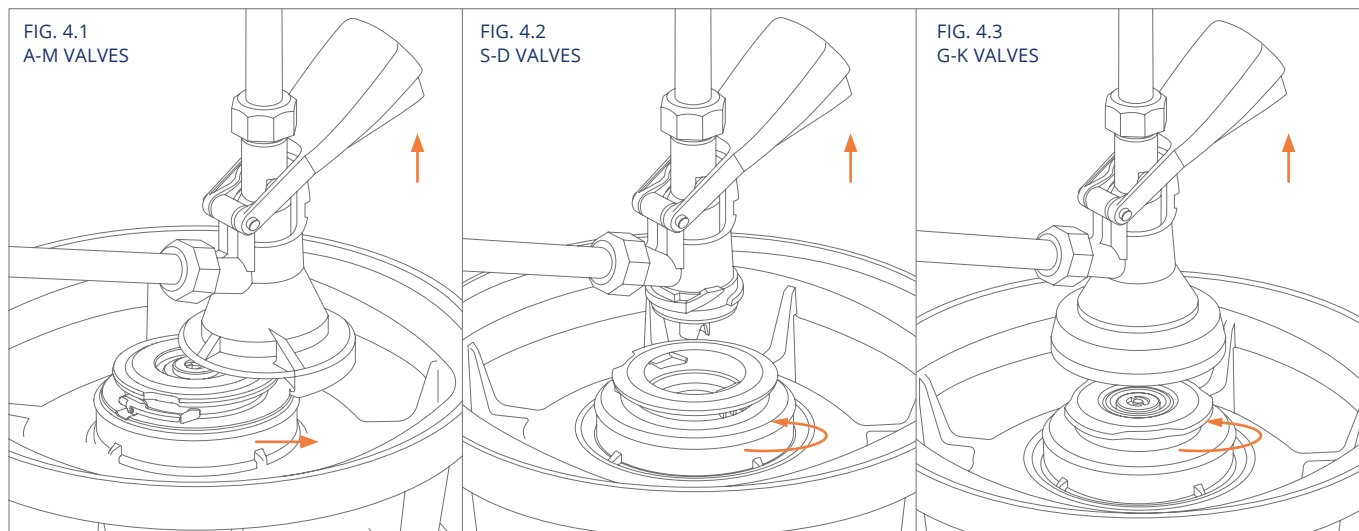


Connect the coupler to the keg valve and start tapping.



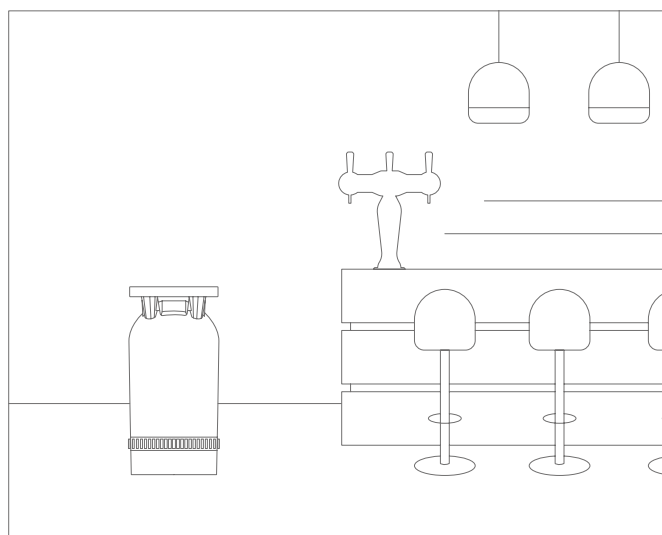
Tapping instructions

4. Uncoupling



Once empty, disconnect the keg from the tapping system.

5. Empty keg management



Disconnect the empty keg from the tapping system and proceed with its depressurization, as indicated in the "Depressurization Instructions" section.

Should it be necessary to temporarily disconnect the keg, clean and sanitize the valve as shown in the "Sanitizing instructions" section. Handle and store the keg according to the instructions in the "Warnings" section.

To start tapping again, repeat the procedure from step 1.