



POLYKEG PRO WITH BAG
Filling instructions with
PolyKeg[®] manual kit



POLYKEG PRO WITH BAG

Filling instructions with PolyKeg® manual kit

Before filling, please refer to the warnings in the "Section 1" of the PolyKeg PRO instruction manual and to the keg technical data sheets.

- 1 Gas tube
- 2 Pressure top-up connection
- 3 Pressure top-up gauge
- 4 Pressure gauge
- 5 Gas regulator connection
- 6 Counter-pressure regulator
- 7 Product tube
- 8 Product filling connection
- 9 Product filling valve
- 10 Keg coupler (Micro Matic is recommended)

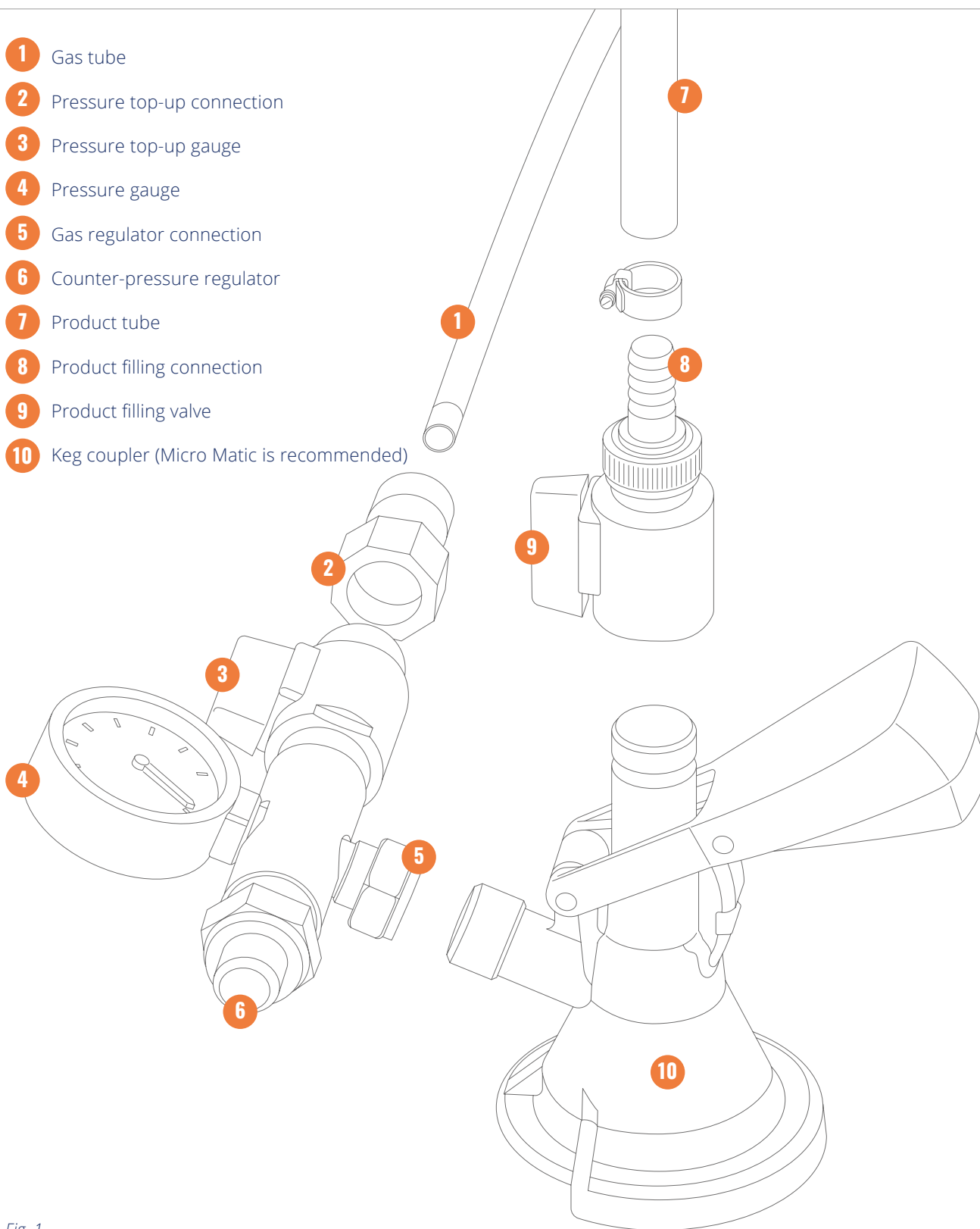
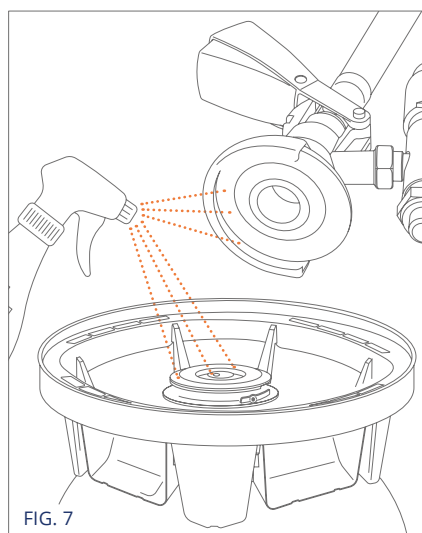


Fig. 1



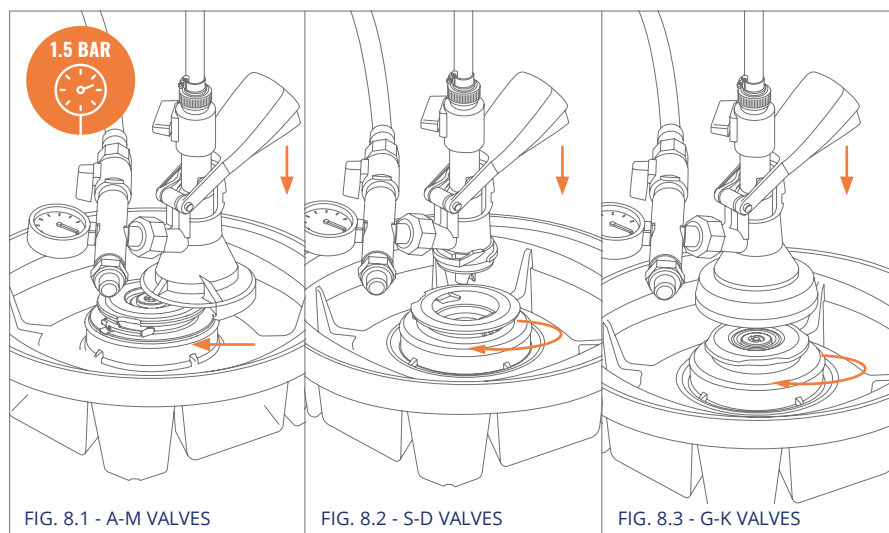
FILLING

7. Sanitizing



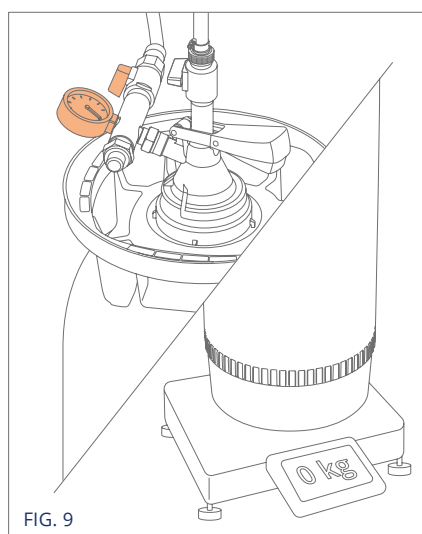
Before filling, sanitize the parts in contact with the product as indicated in the “Sanitizing instructions” section.

8. Connection and Counter-Pressure Check



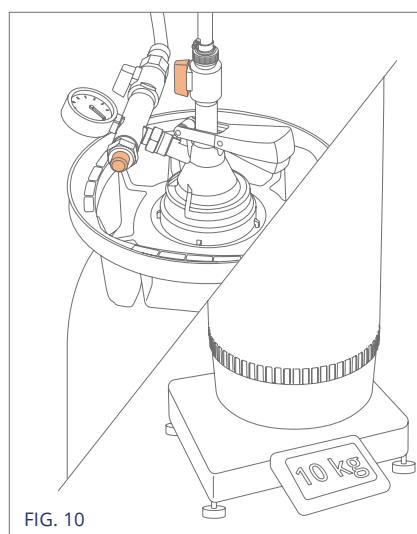
Make sure the filling head is properly connected to the valve, lower the lever and check the internal pressure of the keg.

9. Counter-pressure regulation



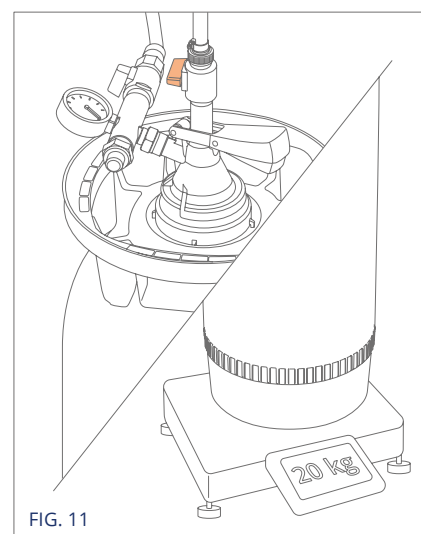
Work with the gas valve until the desired counter pressure is reached (approx. 0.5 bar lower than the product filling pressure).

10. Filling



Open the product valve to start filling and work with the counterpressure regulator to set and/or change the filling speed.

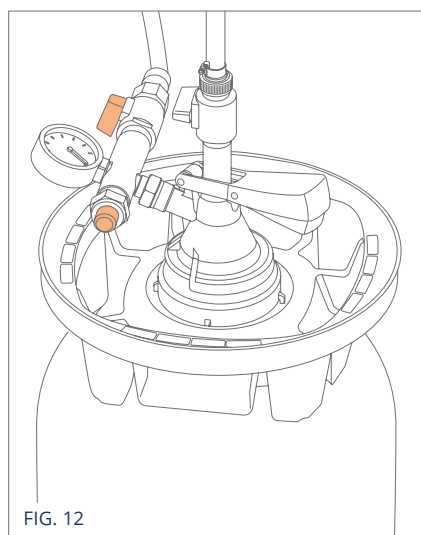
11. End of filling



Once the nominal filling volume is reached, close the product valve. Do not exceed the nominal filling volume to prevent the product from leaking out of the bag.

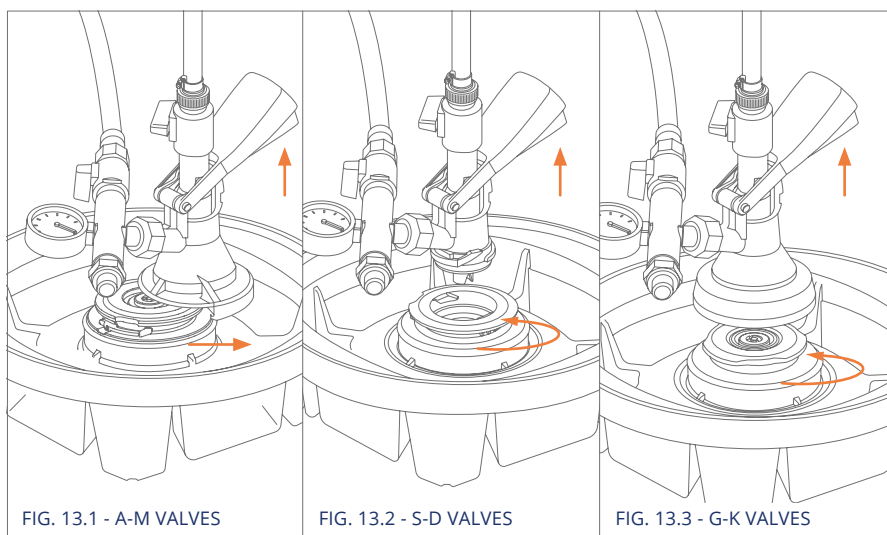


12. Pressure balance



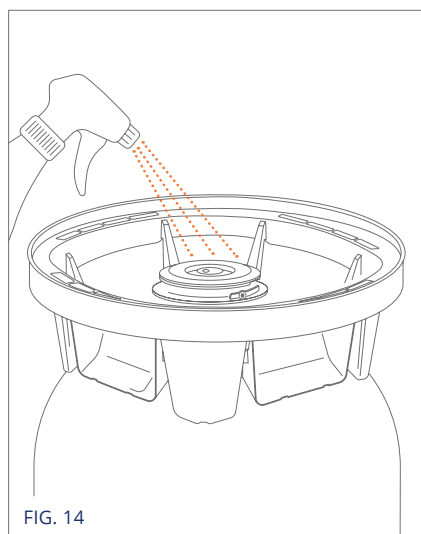
Close the regulator and work on the gas valve to increase the counter-pressure to a value slightly higher than the product filling value.

13. Uncoupling



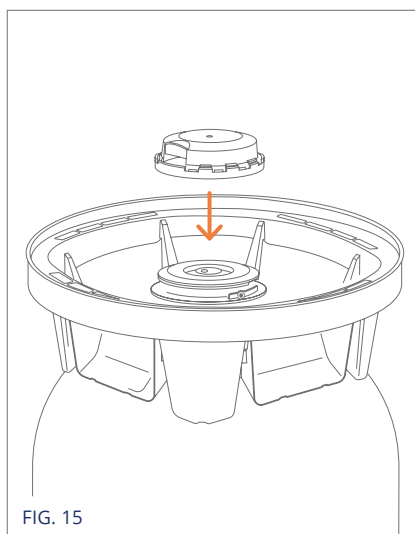
Quickly lift the lever and disconnect the coupler from the keg.

14. Valve sanitizing



Remove any residual product with water and sanitize the external part of the valve as indicated in the "Sanitizing instructions" section.

15. Seal application



Apply the seal.