

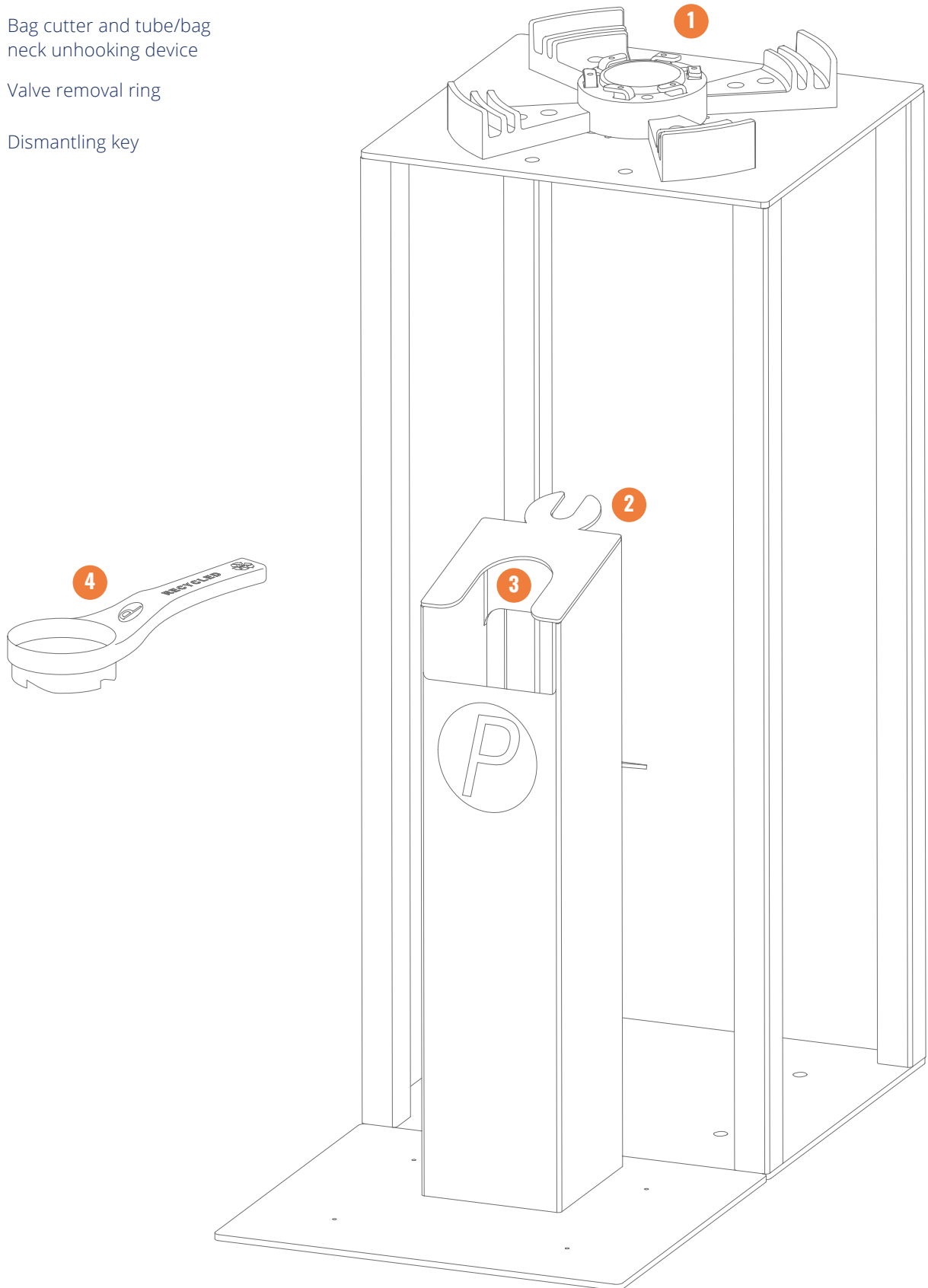


Dismantling instructions

Dismantling instructions



- 1 Base locking system
- 2 Bag cutter and tube/bag neck unhooking device
- 3 Valve removal ring
- 4 Dismantling key





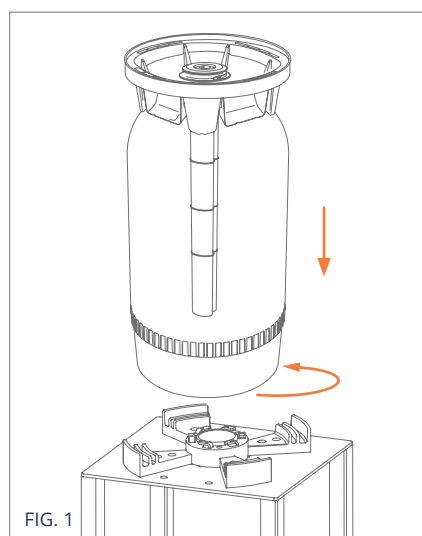
Dismantling instructions

The keg must be depressurized immediately after use and in all cases before being dismantled.

The PolyKeg PRO keg can be easily dismantled as shown below, in order to make the materials recycling easier (please refer to the "Materials sheet").

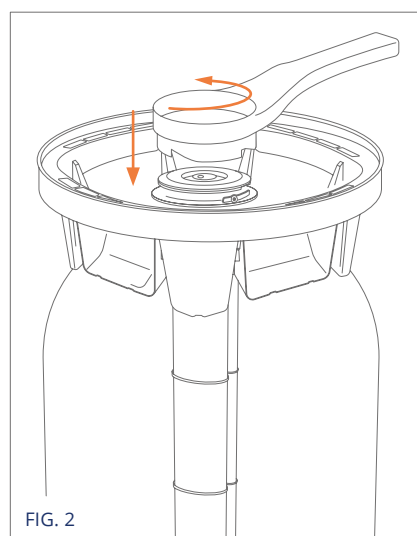
DISMANTLING PROCEDURE

1. Keg locking



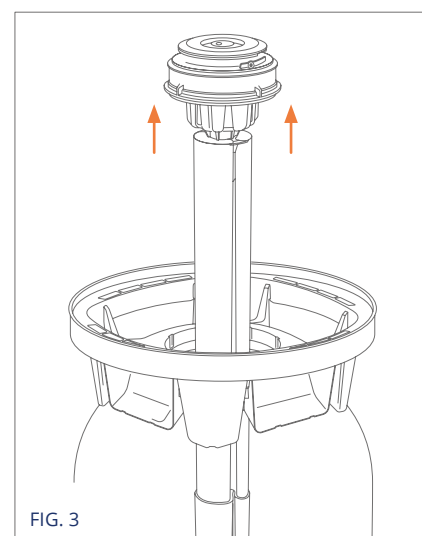
Hook the depressurized keg to the device surface.

2. Valve removal



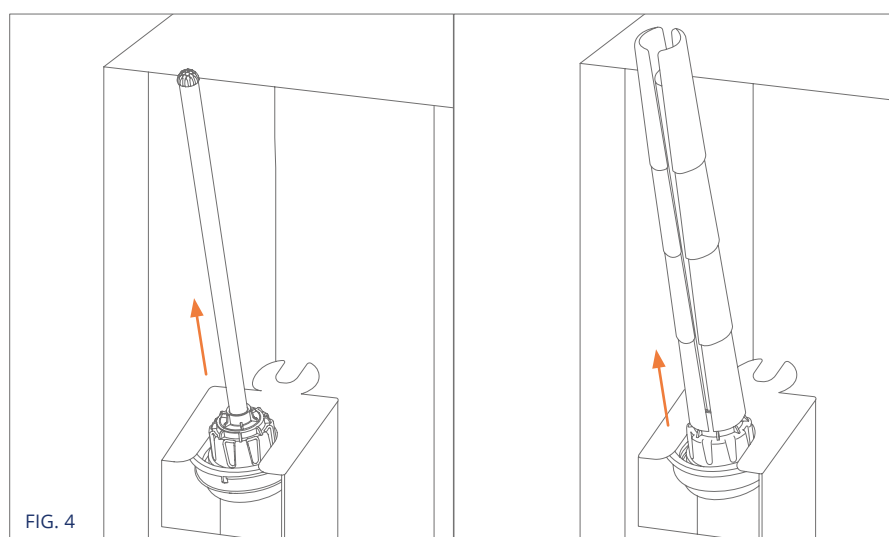
Unscrew the valve using the dedicated dismantling key.

3. Valve extraction with dip tube or bag kit



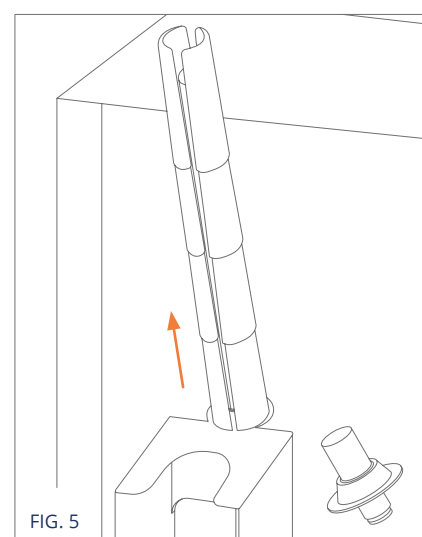
Pull out of the bottle the valve and the dip tube, or the valve and the bag kit.

4. Valve from dip tube or from bag kit separation



Hook the valve to the ring and then detach it from the dip tube or from the bag kit.

5. Dip tube from bag separation

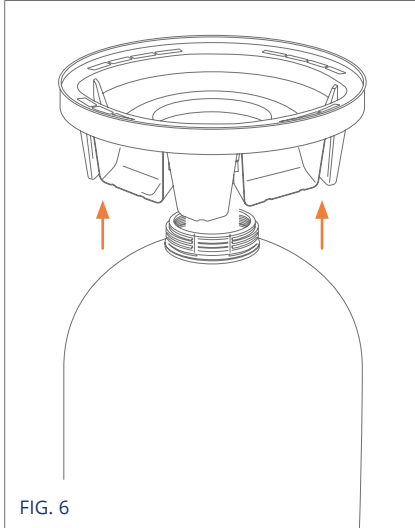


Hook the bag kit to the ring and separate the dip tube and bag from the bag neck.

Dismantling instructions

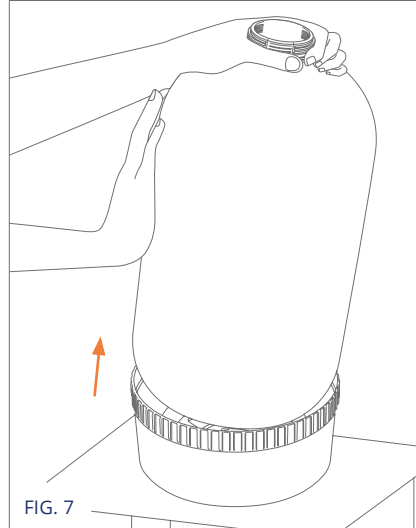


6. Handle removal



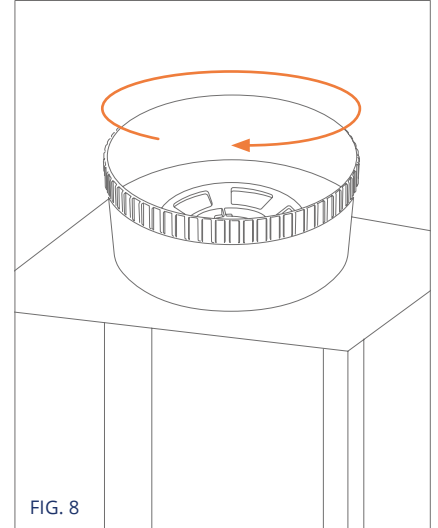
Remove the keg handle.

7. Base removal



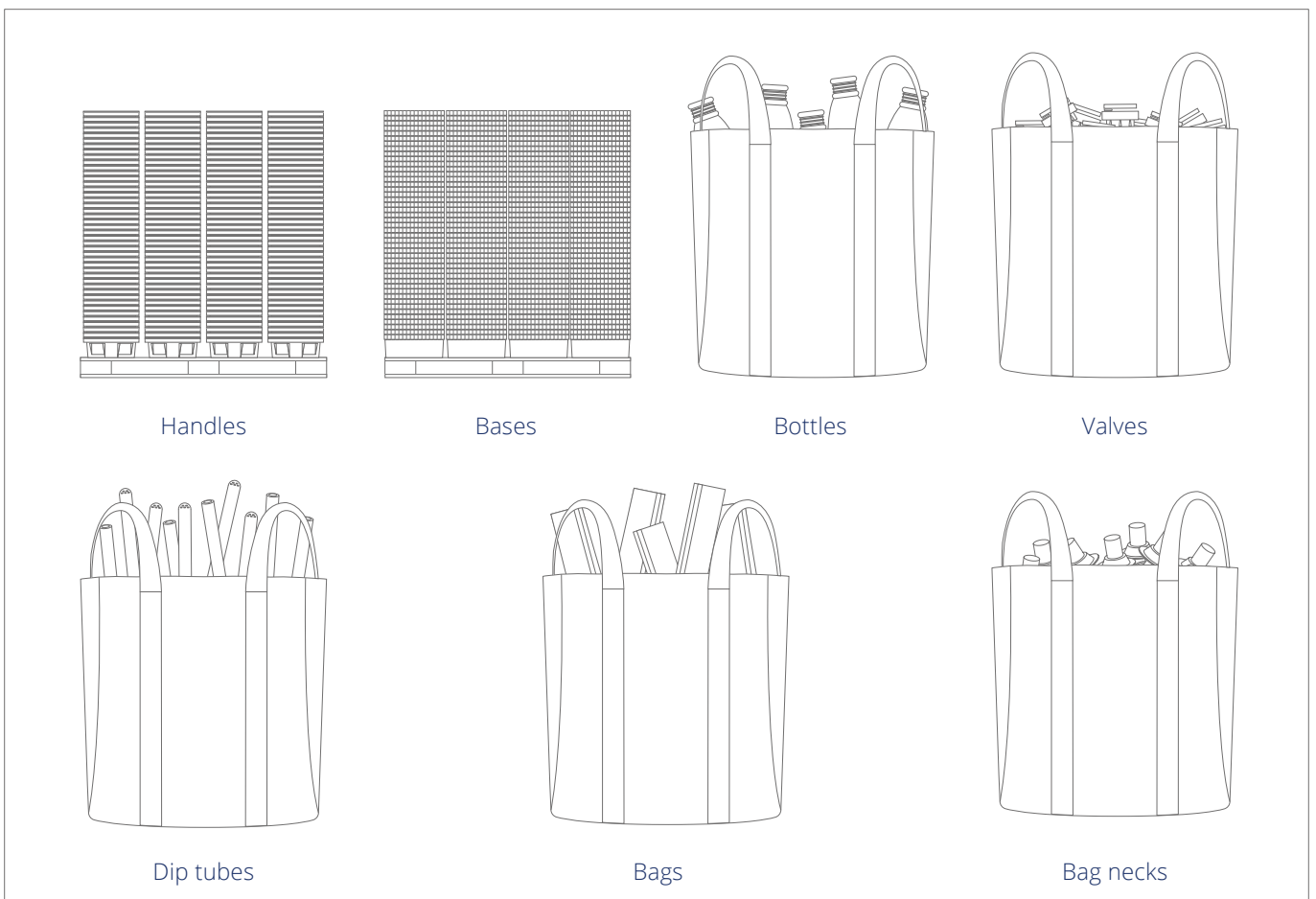
Push the bottle until the base comes off.

8. Base unlocking



Unhook the base of the keg from the device surface.

10. Sorted keg components



Store the keg components in appropriate boxes at the end of each step.